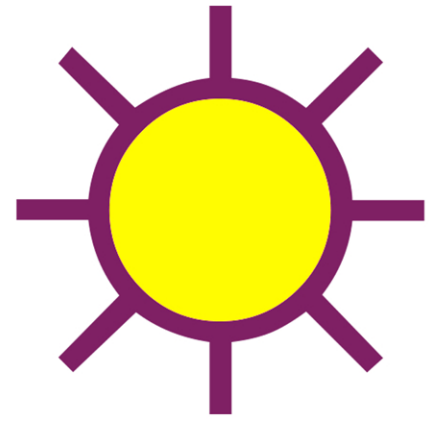


HOW TO MAKE A

GGGABOT

I-Gggabot ine-njini esebenza ngamadla elanga, eqoqa amandla elanga ukuze ikhona ukusebenza.



Faka i-glue eshisayo emanqhineni, ukuze angahlephuki makwenzeka ugobisa ucingo.

ama-bhetri adinga ukuthamela ilanga ukuze athole amandla

SOLAR CELL

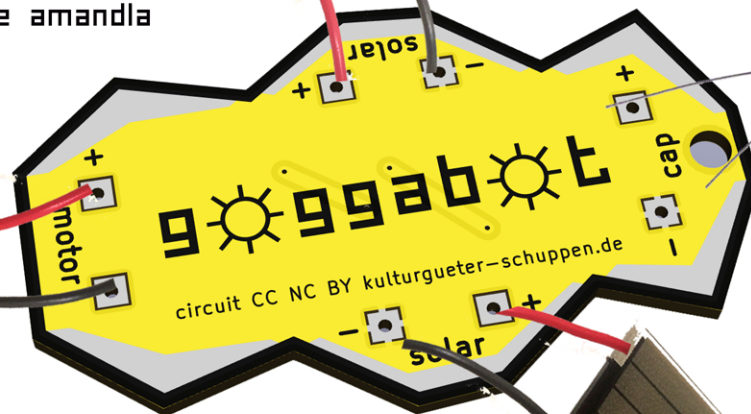
Ucingo olumnyama li-negative (-), kanti olubomvu li-positive (+)

CAPACITOR



Umugqha okwi-capacitor, kanye lomenze omufishane wocingo, izimpawu za-negative (-)

MOTOR



SOLAR CELL



Zama ukuthola ukuthi ubakhona yini umehluko mawusebenzisa enye i-capacitor.

Makwenzeka imoto yakho inoku gqhuma-gqhuma, namathisela i-brush nge-glue emanzi. Uma uthola ukuthi i-moto yakho ayinankinga, zama ukuhlenganisa okusamzimba ngamasondo nocingo. Kubalulekile ukuqiniseka ukuthi i-robot yakho ikhona ukuhhamba, ngakho qikelela ukuthi uyakha ngendlela ezokwenza kubelula ukuthi amalungu omzimba wayo alingane ukuze ingawi.

Amandla elanga awapheli. Masiwasebenzisa, songa amandla nogesi wezinto eziFana namaFutha, kanye namalahle, phezu kwalokho sizione imvelo.

OKUBALULEKILE: I- gggabot yakho akumele ingene emgqhomeni ojwalekile, ilahle kwimiqghomo yadoti obizwa nge-E-waste.

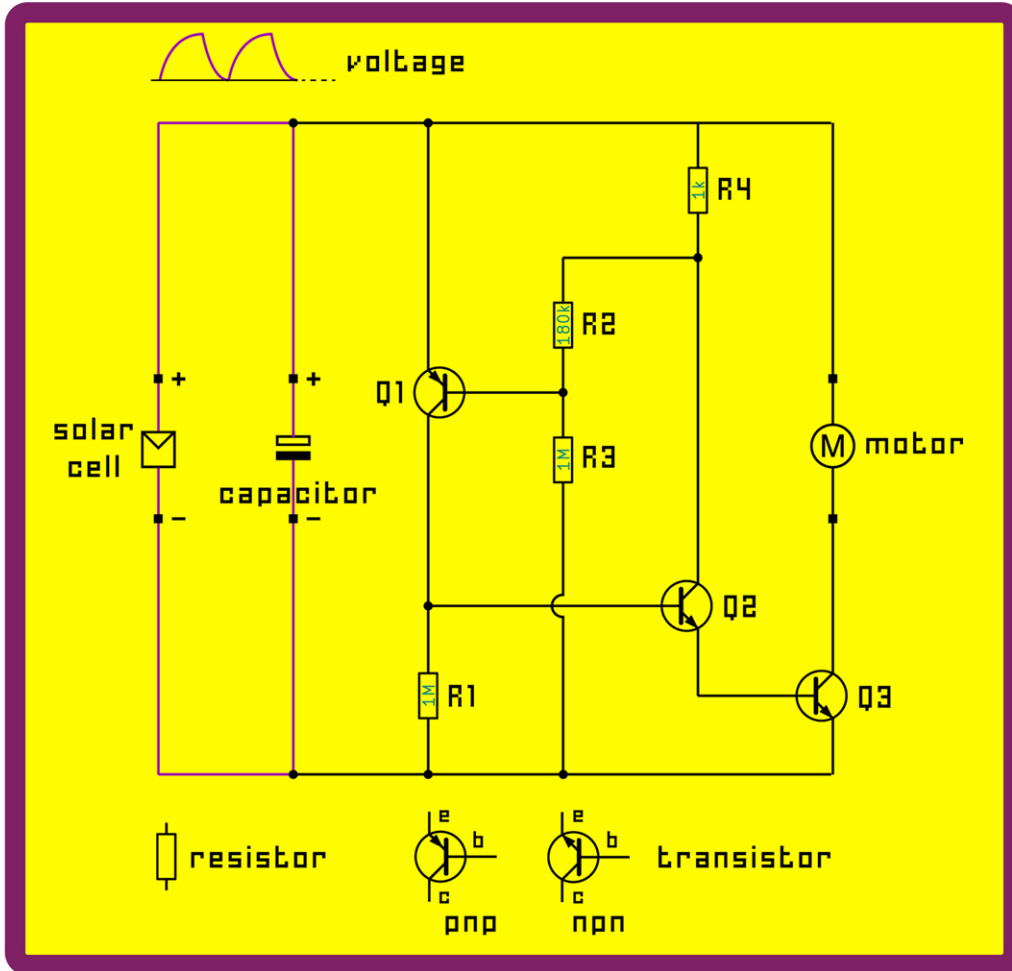
↓ Funda kabanzi lapha ↓

FREE SUNSHINE.ORG





I-gggabbbt ine-solar cell, i-capacitor, i-control circuit (itholakala kucephe oluphuzi) kanye ne-moto. Isiphendula masondo inama-resistor amane (R1-R4), kanye nama-transistors (Q1-Q3).



isikhokha mandla siqoqa amandla avela elangeni, iwashintshe abe ugesi onama-volt amathathu. Lokhu kuphakela ama-capacitors ukuze okubizwa ngogesi welanga unyuke.



Kuthi lamandla angafika kuma-volt awu - 0.5V kwi-resistor yesisibili ama-transistors awale ukujikisa i-moto.

Ama-transistors ayeka ukuphaka ugesi mahwehlisa ama-volt, iphinde iqale kabusha Futhi.